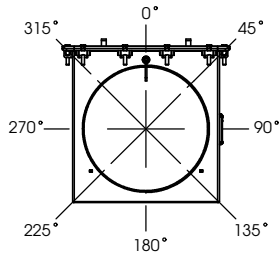


**NOTES:**

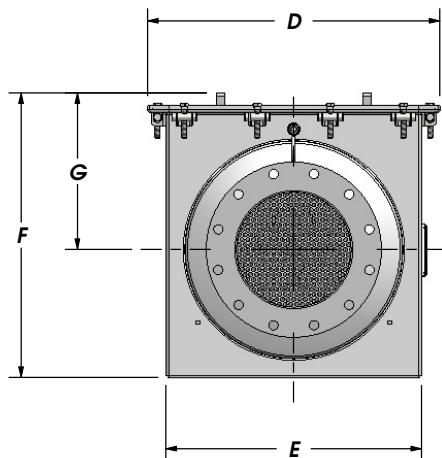
- WEIGHTS ARE APPROXIMATE WITH (2) ELEMENTS
- THIS EQUIPMENT SHALL BE SUPPORTED SUCH THAT NO MOMENTS OR FORCES ARE ON THE INLET AND OUTLET FLANGES
- ACCESS DOOR BOLTS: FULLY THREADED HEX HEAD CAP SCREWS - 5/8"-11 x 1 1/2", 304 SS ON STAINLESS STEEL UNITS AND GRADE 5 ZINC PLATED ON CARBON STEEL UNITS
- ACCESS DOOR GASKET: 1/8" THICK BY 1 1/2" WIDE VERMICULITE COATED CENTER SLOTTED (PSA) FLAT GASKET
- ELEMENT SEALING GASKET: INSWOOL 2300 COMPOSITE GASKET

**PREMIUM OPTIONS:**

- TRUNIONS (CUSTOMER TO SPECIFY SIZE, LOCATION AND ORIENTATION OFF THE INLET FLANGE)
- FLANGE SIDE ENTRY/OUTLET (CUSTOMER TO SPECIFY ORIENTATION - 45°, 90°, 180°, ETC WITH 0° ALWAYS ALIGNED WITH LOCATION OF THE HOUSING LID, LOOKING DOWN THE LONG AXIS OF THE CONVERTER, SPECIFY DEGREES OF FLANGE CENTERLINE AS VIEWED FROM THE INLET END.
- LID CLAMPS IN LIEU OF STANDARD BOLTS
- EXTRA PORTS
- FLANGE SIZE OTHER THAN EC STANDARD (NOTE: PRESSURE DROP (DP) SHOULD BE VERIFIED FOR ALL SMALLER FLANGE SIZE REQUESTS)



**SIDE INLET/OUTLET ORIENTATION**



**EC-XXXX-XX-S-XX**

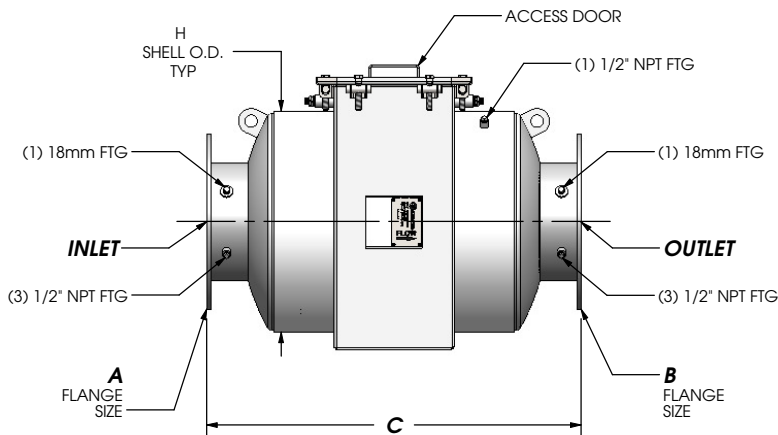
ELEMENT SIZE  
XX.XX

MATERIAL CONSTRUCTION  
CS = CARBON STEEL  
SS = STAINLESS STEEL

FLANGE SIZE  
XX" 150# FF

HOUSING TYPE  
S = HOUSING ONLY

MODEL	WEIGHT (lbs.)	A (in.)	B (in.)	C (in.)	D (in.)	E (in.)	F (in.)	G (in.)	H (in.)	ACCESS DOOR GASKET (ft.)	ELEMENT SEALING GASKET P/N
EC-0800-02-S-XX	116	2" - 150#	2" - 150#	33.250	16.000	12.019	15.485	9.476	8.394	5	EG-EC0800
EC-0800-03-S-XX	120	3" - 150#	3" - 150#	33.250	16.000	12.019	15.485	9.476	8.394	5	EG-EC0800
EC-1000-02-S-XX	134	2" - 150#	2" - 150#	33.250	18.000	14.019	17.485	10.476	10.394	5	EG-EC1000
EC-1000-03-S-XX	138	3" - 150#	3" - 150#	33.250	18.000	14.019	17.485	10.476	10.394	5	EG-EC1000
EC-1200-03-S-XX	164	3" - 150#	3" - 150#	36.250	20.000	16.019	19.485	11.476	12.394	6	EG-EC1200
EC-1200-04-S-XX	169	4" - 150#	4" - 150#	36.250	20.000	16.019	19.485	11.476	12.394	6	EG-EC1200
EC-1200-05-S-XX	170	5" - 150#	5" - 150#	36.250	20.000	16.019	19.485	11.476	12.394	6	EG-EC1200
EC-1450-05-S-XX	205	5" - 150#	5" - 150#	36.250	22.500	18.519	22.735	13.476	16.394	6	EG-EC1450
EC-1450-06-S-XX	207	6" - 150#	6" - 150#	36.250	22.500	18.519	22.735	13.476	16.394	6	EG-EC1450
EC-1450-08-S-XX	214	8" - 150#	8" - 150#	36.250	22.500	18.519	22.735	13.476	16.394	6	EG-EC1450
EC-1950-06-S-XX	288	6" - 150#	6" - 150#	44.875	27.500	23.519	27.235	15.476	20.394	7	EG-EC1950
EC-1950-08-S-XX	295	8" - 150#	8" - 150#	44.875	27.500	23.519	27.235	15.476	20.394	7	EG-EC1950
EC-1950-10-S-XX	302	10" - 150#	10" - 150#	44.875	27.500	23.519	27.235	15.476	20.394	7	EG-EC1950
EC-2150-10-S-XX	395	10" - 150#	10" - 150#	44.875	30.000	25.625	29.563	16.750	22.500	7	EG-EC2150
EC-2150-12-S-XX	408	12" - 150#	12" - 150#	44.875	30.000	25.625	29.563	16.750	22.500	7	EG-EC2150
EC-2150-14-S-XX	418	14" - 150#	14" - 150#	44.875	30.000	25.625	29.563	16.750	22.500	7	EG-EC2150
EC-2350-10-S-XX	430	10" - 150#	10" - 150#	44.875	32.000	27.625	31.563	17.750	24.500	8	EG-EC2350
EC-2350-12-S-XX	443	12" - 150#	12" - 150#	44.875	32.000	27.625	31.563	17.750	24.500	8	EG-EC2350
EC-2350-14-S-XX	453	14" - 150#	14" - 150#	44.875	32.000	27.625	31.563	17.750	24.500	8	EG-EC2350
EC-2650-10-S-XX	473	10" - 150#	10" - 150#	44.875	35.000	30.625	34.063	18.750	26.500	8	EG-EC2650
EC-2650-12-S-XX	486	12" - 150#	12" - 150#	44.875	35.000	30.625	34.063	18.750	26.500	8	EG-EC2650
EC-2650-14-S-XX	495	14" - 150#	14" - 150#	44.875	35.000	30.625	34.063	18.750	26.500	8	EG-EC2650
EC-2850-12-S-XX	526	12" - 150#	12" - 150#	44.875	37.000	32.625	36.063	19.750	28.500	9	EG-EC2850
EC-2850-14-S-XX	537	14" - 150#	14" - 150#	44.875	37.000	32.625	36.063	19.750	28.500	9	EG-EC2850
EC-2850-16-S-XX	546	16" - 150#	16" - 150#	44.875	37.000	32.625	36.063	19.750	28.500	9	EG-EC2850
EC-3025-14-S-XX	576	14" - 150#	14" - 150#	44.875	38.750	34.375	37.938	20.750	30.500	9	EG-EC3025
EC-3025-16-S-XX	586	16" - 150#	16" - 150#	44.875	38.750	34.375	37.938	20.750	30.500	9	EG-EC3025
EC-3025-18-S-XX	587	18" - 150#	18" - 150#	44.875	38.750	34.375	37.938	20.750	30.500	9	EG-EC3025
EC-3025-20-S-XX	597	20" - 150#	20" - 150#	44.875	38.750	34.375	37.938	20.750	30.500	9	EG-EC3025
EC-3350-16-S-XX	725	16" - 150#	16" - 150#	56.750	42.000	37.625	41.563	22.750	34.500	9	EG-EC3350
EC-3350-18-S-XX	726	18" - 150#	18" - 150#	56.750	42.000	37.625	41.563	22.750	34.500	9	EG-EC3350
EC-3350-20-S-XX	736	20" - 150#	20" - 150#	56.750	42.000	37.625	41.563	22.750	34.500	9	EG-EC3350
EC-3550-16-S-XX	770	16" - 150#	16" - 150#	56.750	44.000	39.625	43.563	23.750	36.500	10	EG-EC3550
EC-3550-18-S-XX	771	18" - 150#	18" - 150#	56.750	44.000	39.625	43.563	23.750	36.500	10	EG-EC3550
EC-3550-20-S-XX	782	20" - 150#	20" - 150#	56.750	44.000	39.625	43.563	23.750	36.500	10	EG-EC3550



DRAWING EC-XXXX-XX-S-XX SD REV 2

HOUSING SIZING DRAWING

DRAWN	JU	DATE	5/20/2013
ENGINEER	-	DATE	-
APPROVED	-	DATE	-

**PROPRIETARY AND CONFIDENTIAL**  
THIS DRAWING CONTAINS PROPRIETARY INFORMATION WHICH IS TO BE HELD CONFIDENTIAL AND MAY NOT BE REPRODUCED OR DISCLOSED TO OTHERS WITHOUT THE PRIOR WRITTEN CONSENT OF EMERACHEM OR A DULY AUTHORIZED REPRESENTATIVE THEREOF.